

# COOPER LIGHTING - METALUX®

## DESCRIPTION

The Ovation Series is a complete family of recessed direct/indirect luminaires featuring pleasant modern architectural styling, computer-designed optics and the latest energy efficient lamp and ballast technology. The luminaire combines a matte white indirect reflector and a perforated direct lamp shield providing optimum brightness control. Components are dropped below the ceiling plane for an aggressive architectural appearance in the finished space. Carefully balanced design elements combine to provide an efficient and exciting, high performance alternative to traditional general lighting. Ovation is an excellent choice for a wide variety of commercial applications.

## SPECIFICATION FEATURES

### A ... Construction

Nominal 3" deep housing is die formed of code gauge, prime cold rolled steel. Heavy gauge end plates are securely attached with screws for strength and rigidity and the elimination of gaps. Four auxiliary fixture end suspension points are provided. KOs for continuous row wiring. Large access plate for supply connection.

### B ... Electrical\*

Ballasts are Class "P" and are positively secured. Rotor-lock

lampholders ensure positive lamp retention. UL/CUL listed. Suitable for damp locations.

### C ... Ballast Access

Ballast can be accessed from below.

### D ... Finish

Durable cold rolled steel with multistage, iron phosphate pretreatment and white enamel finish to ensure maximum bonding and rust inhibition.

### E ... Reflectors

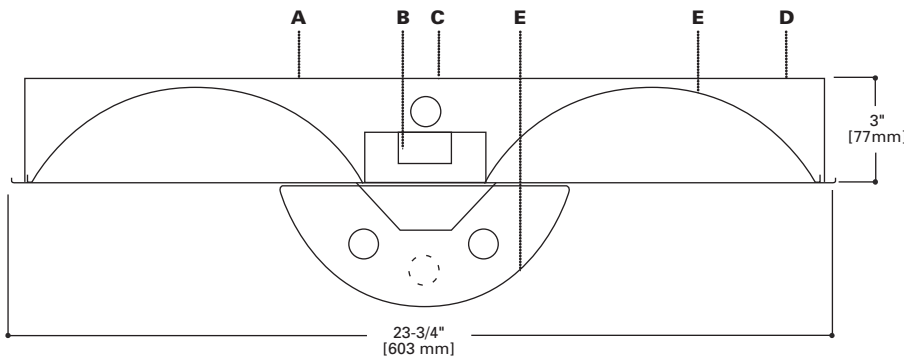
Indirect reflector has high reflectance baked matte white enamel finish for luminous uniformity. Positively retained direct lamp shield is constructed of heavy gauge perforated steel. Shields are combined with a high reflectance painted after fabrication finish and milky white overlay diffuser for visual comfort. All reflectors are precision formed in a computer-controlled operation.

Catalog #		Type
Project		
Comments		Date
Prepared by		

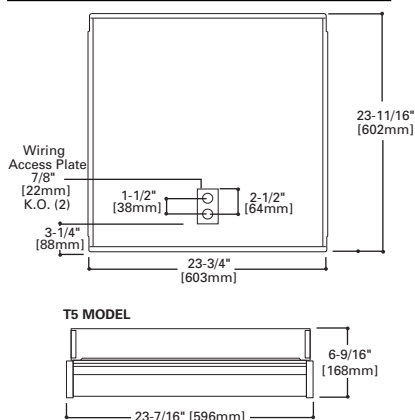


**2RDI**  
**114T5**  
**214T5**  
**314T5**  
**124T5HO**  
**224T5HO**  
**324T5HO**

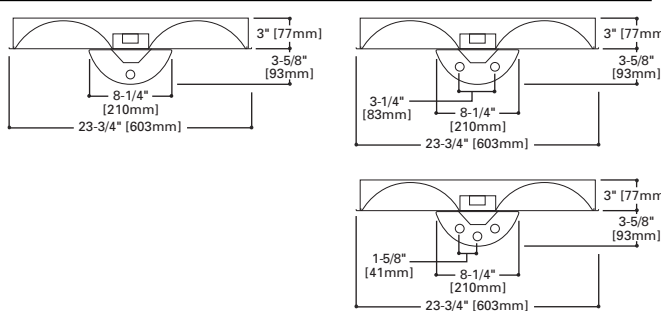
**T5 OR T5HO LAMPS**  
**2' X 2' Recessed**  
**Direct/Indirect**  
**Center-Mount**  
**Drop Basket**



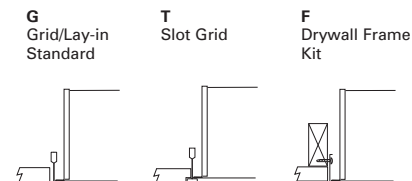
## MOUNTING DATA



## LAMP CONFIGURATIONS



## CEILING COMPATIBILITY



Ceiling Type**	Trim Type
Exposed Grid	G
Concealed T	G or T
Slot Grid	G or T
Flange	***



## ENERGY DATA

Input Watts:

### EB Ballast & STD Lamps

114T5 (19)  
 214T5 (38)  
 314T5 (57)  
 124T5 (25)  
 224T5 (52)  
 324T5 (78)

Luminaire Efficacy Rating

LER = FL39

Catalog Number: 2RDI-214T5RPD

Yearly Cost of 1000 lumens,  
 3000 hrs at .08 KWH = \$6.11

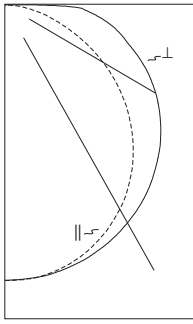
\*Reference the lamp/ballast data in the Technical Section for specific lamp/ballast requirements.

\*\*Consult Pre Sales Technical Support.

\*\*\*See Drywall Frame Kit Accessory

LAMPS CONTAIN MERCURY. DISPOSE ACCORDING TO LOCAL, STATE OR FEDERAL LAWS





**2RDI-224T5RPD**  
Electronic Ballast  
(2) F24T5HO/830  
Lamps  
1750 Lumens  
Spacing criterion:  
(II) 1.3 x mounting  
height, (⊥) 1.3 x  
mounting height  
Efficiency 61.7%  
Test Report:  
2RDI224T5RPD.IES  
LER = FL39  
Yearly Cost of 1000  
lumens, 3000 hrs at  
.08 KWH = \$6.11

**Candela**

Angle	Along II	45°	Across ⊥
0	631	631	631
5	630	630	629
10	622	623	625
15	608	612	616
20	588	596	604
25	563	576	589
30	533	553	570
35	497	525	549
40	457	494	524
45	412	460	496
50	364	424	466
55	312	385	433
60	257	344	398
65	202	302	360
70	150	259	318
75	105	215	280
80	65	175	242
85	32	134	197
90	0	0	0

**Coefficients of Utilization**

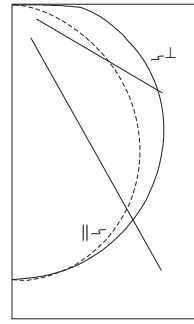
rc	Effective floor cavity reflectance						20%											
	80%		70%		50%		30%		10%		0%							
rw	70	50	30	10	70	50	30	10	50	30	10	50	30	10	0			
<b>RCR</b>																		
0	74	74	74	74	72	72	72	72	69	69	69	66	66	66	63	63	63	62
1	66	62	59	56	64	61	58	55	58	55	53	55	53	52	53	52	50	49
2	59	53	48	44	57	52	48	44	50	46	43	48	45	42	46	43	41	39
3	54	46	41	36	52	45	40	36	43	39	35	42	38	35	40	37	34	33
4	49	41	35	30	47	40	34	30	38	33	30	37	33	29	35	32	29	27
5	45	36	30	26	43	36	30	26	34	29	25	33	29	25	32	28	25	23
6	41	33	27	22	40	32	26	22	31	26	22	30	25	22	29	25	22	20
7	38	29	24	20	37	29	23	20	28	23	19	27	23	19	26	22	19	18
8	36	27	21	18	35	26	21	17	26	21	17	25	20	17	24	20	17	16
9	33	25	19	16	32	24	19	16	23	19	16	23	19	15	22	18	15	14
10	31	23	18	14	30	22	17	14	22	17	14	21	17	14	21	17	14	13

**Zonal Lumen Summary**

Zone	Lumens	%Lamp	%Fixture
0-30	499	14.3	23.1
0-40	827	23.6	38.3
0-60	1519	43.4	70.3
0-90	2160	61.7	100.0
0-180	2160	61.7	100.0

**Typical VCP Percentages**

Room Size (Ft.)	Height Along		Height Across	
	8.5'	10.0'	8.5'	10.0'
20 x 20	67	75	60	69
30 x 30	61	66	52	58
30 x 60	57	60	41	46
60 x 30	61	65	56	62
60 x 60	55	58	44	48



**2RDI-324T5RPD**  
Electronic Ballast  
(2) F24T5HO/830  
lamps  
1750 lumens  
Spacing criterion:  
(II) 1.3 x mounting  
height, (⊥) 1.3 x  
mounting height  
Efficiency 63.9%  
Test Report:  
2RDI324T5RPD.IES  
LER = FL42  
Yearly Cost of 1000  
lumens, 3000 hrs at  
.08 KWH = \$5.72

**Candela**

Angle	Along II	45°	Across ⊥
0	1001	1001	1001
5	1002	998	996
10	989	988	988
15	967	969	974
20	935	943	953
25	894	910	926
30	847	871	894
35	789	825	858
40	724	774	816
45	652	717	770
50	575	658	722
55	491	596	669
60	403	531	611
65	314	463	549
70	230	394	482
75	159	325	417
80	97	257	354
85	48	197	291
90	0	0	0

**Coefficients of Utilization**

rc	Effective floor cavity reflectance						20%											
	80%		70%		50%		30%		10%		0%							
rw	70	50	30	10	70	50	30	10	50	30	10	50	30	10	0			
<b>RCR</b>																		
0	76	76	76	76	74	74	74	74	71	71	71	68	68	68	65	65	65	64
1	68	64	61	58	66	63	60	57	60	58	55	58	55	54	55	54	52	51
2	61	55	50	46	60	54	50	46	52	48	45	50	46	44	48	45	43	41
3	56	48	42	38	54	47	42	38	45	41	37	43	39	36	42	38	35	34
4	51	42	36	32	49	42	36	31	40	35	31	38	34	31	37	33	30	29
5	47	38	32	27	45	37	31	27	36	31	27	34	30	26	33	29	26	25
6	43	34	28	24	42	33	28	23	32	27	23	31	26	23	30	26	23	21
7	40	31	25	21	39	30	25	21	29	24	20	28	24	20	27	23	20	19
8	37	28	22	18	36	27	22	18	27	22	18	26	21	18	25	21	18	17
9	34	26	20	16	34	25	20	16	24	20	16	24	19	16	23	19	16	15
10	32	24	18	15	31	23	18	15	23	18	15	22	18	15	21	17	15	13

**Zonal Lumen Summary**

Zone	Lumens	%Lamp	%Fixture
0-30	789	15.0	23.5
0-40	1306	24.9	38.9
0-60	2385	45.4	71.1
0-90	3353	63.9	100.0
0-180	3353	63.9	100.0

**Typical VCP Percentages**

Room Size (Ft.)	Height Along		Height Across	
	8.5'	10.0'	8.5'	10.0'
20 x 20	59	66	51	61
30 x 30	52	56	43	49
30 x 60	47	50	33	37
60 x 30	52	56	47	43
60 x 60	46	49	35	39

**ORDERING INFORMATION**

SAMPLE NUMBER: 2RDI-214T5RPD-120V-EBT1-U

<b>2 = 2' Width</b>	<b>Number of Lamps</b> (Not included) 1= 1 Lamp 2= 2 Lamp 3= 3 Lamp	<b>Lamp Shield</b> RPD=RoundPerforated Steel Below Ceiling Lamp Shield RPD/TBW=Round Perforated Below Ceiling Lamp Shield with Thin Blade White Baffle	<b>Ballast Type</b> <sup>(2)</sup> EBT =T5 Linear Electronic Program Rapid Start Total Harmonic Distortion < 10% No. of Ballast 1,2 or 3 DLS=Digital Lighting System Dimming	<b>Options</b> RIF1=Radio Interference Suppressor EQ-Clip-U=T-Bar EQ Clip (Order Individually as Accessory. Use Four Per Fixture.) DF-22-W =Drywall Frame Kit (Order Individually as Accessory.) REP=Riveted Endplates, for use in New York City. ST=Semi-Specular Tannenbaum Main Reflector LSC=Lamp Shield Cable	<b>Packaging</b> U=Unit Pack, PALC=Job Pack, in carton
<b>Trim Type</b> Leave Blank=Grid/Lay-in (Standard)	<b>Wattage (Length)</b> 14T5=14WT5 (24") <sup>(1)</sup> 24T5=24WT5HO (24") <sup>(1)</sup>	<b>Voltage</b> <sup>(2)</sup> 120V=120 Volt 277V=277 Volt UNV=Universal Voltage 120-277			
<b>Leave Blank=Center mounted Lamps (standard)</b>		<b>Options</b> GL=Single Element Fuse GM=Double Element Fuse Lamps=Lamps installed Flex=Flex installed			

NOTES:  
(1) 2' x 2' and 2' x 4' Center Lamp Shield models only.  
(2) Products also available in non-US voltages and  
frequencies for international markets.

**ACCESSORIES**

EQ = T-BAR Safety Earthquake Clips  
(Use Four Per Fixture)  
DF-22-W = Drywall Frame Kit

**SHIPPING INFORMATION**

Catalog No.	Wt.
2RDI-114T5RPD	17 lbs.
2RDI-214T5RPD	17 lbs.
2RDI-314T5RPD	17 lbs.